

# ZR PN 0.1

Gas pressure regulator  
Inlet pressure 100 mbar  
DN 20, 25, 32, 40, 50

## Applications

- Pressure reducing for
- utilisation
  - domestic application

## Brief information

The ZR series of meter service regulators for low-pressure applications and for use with gas meters is available with or without an integrated low-pressure cut-off valve (LPCO). The LPCO has an automatic reset. The units are DVGW approved according to DIN 33822. Registration numbers: NG-4330CL0335, ZRH: NG-4330CL0336

## Technical data

- Inlet pressure range  $p_U$  22 mbar to 100 mbar
  - Outlet pressure range  $p_{ds}$  18 to 50 mbar
  - Design with low pressure cut-off  $p_{ds}$  18 to 30 mbar (ZR/ZRE) (different setting springs necessary)
  - Minimum differential pressure  $\Delta p_{min}$  4 mbar
- Omnidirectional installation horizontal/vertical.

### Pressure ranges & accuracy classes

Type	ZR 3	ZR 3/6	ZR 6/10	ZR 10	ZRE 3/6	ZRH 20/40
Diameter	DN 20	DN 25	DN 32	DN 40	DN 25 one pipe	DN 50
Control pressure range	18 – 50 (GMS: 18 – 30)					18 – 50
Control accuracy class	AC 10					
Look up pressure class	SG 30					

## Ordering example

- ZR 3/6 S with low pressure cut-off
- Diameter
  - Inlet pressure ... to ... mbar
  - Outlet pressure ... mbar

## Design

- ZR... Standard design without low pressure cut-off  
ZR...S Design with low pressure cut-off



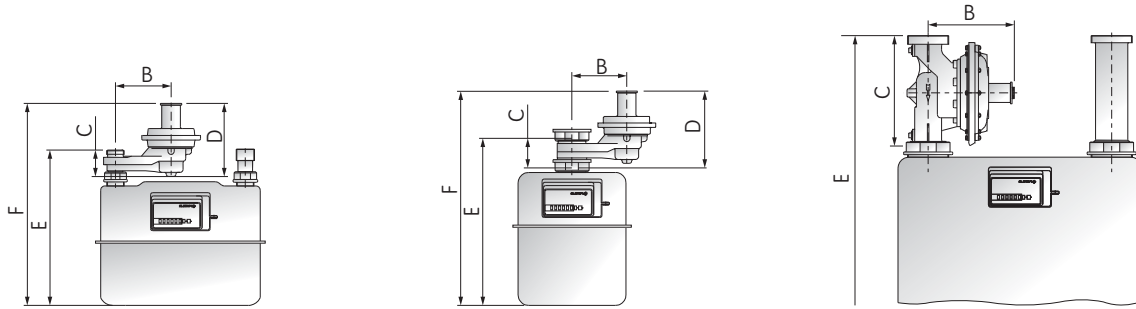
## Main features

- Fully inlet pressure balanced
- Inlet pressure resistant up to 16 bar
- Excellent outlet pressure control
- Minimum differential pressure 4 mbar
- Firesafe according to DIN 33822
- Operation temperature -20 °C to +60 °C
- Sealable inspection opening at the outlet (ZRH), test hole  $\varnothing$  1 mm
- Safety diaphragm
- Tamper-proof
  - crimped (DN 20 – DN 40)
  - screwed (DN 50)
- Housing cathodic immersion coated
- Sieve in inlet

## Options

- Low pressure cut-off
- Flood resistant

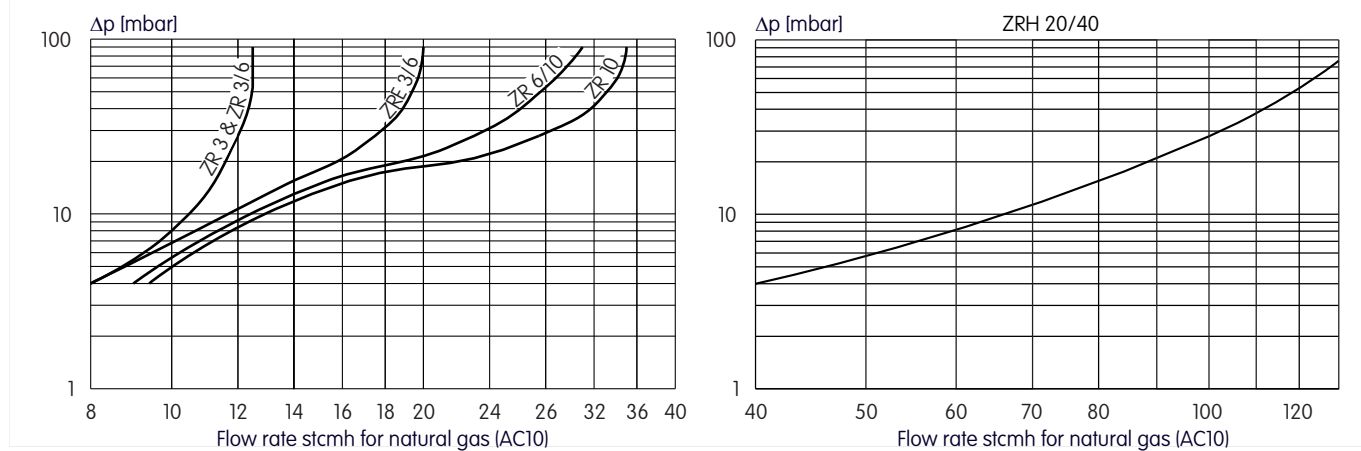
Technical data



Type	Capacities natural gas [stcm/h]		Connections		Meter	Dimensions [mm]					Weight [kg]
	$Q_{max, pu min}$	$Q_{max, pu max}$	Line	Thread		B	C	D	E	F	
ZR 3	8	12,5	DN 20	G 1	G 4	90	50	140	300	390	approx. 1.6
ZR 3/6	8	12,5	DN 25	G 1¼	G 4 G 6	90 90	50 50	140 140	291 370	381 460	approx. 1.6
ZR 6/10	9	31	DN 32	G 1¼	G 6 G 10	105 105	50 50	140 140	370 380	460 470	approx. 1.7
ZR 10	9,5	35	DN 40	G 2	G 10 G 16	105 105	60 60	145 145	380 380	475 475	approx. 2.1
ZRE 3/6	8	20	DN 25 Einrohr	G 2	G 2,5 G 4 G 6/10	105 105 105	58 58 58	142 142 142	273 309 381	357 393 463	approx. 2.0
ZRH 20/40	40	130	DN 50	G 2½	G 25	158	205	-	603	-	approx. 4.4

Thread to ISO 228-1

Maximum capacity



Your contacts



Germany  
 Elster GmbH  
 Steinern Str. 19 - 21  
 55252 Mainz-Kastel  
 T +49 6134 605 0  
 F +49 6134 605 223  
 www.elster-instromet.com  
 info@elster-instromet.com

Belgium  
 Elster NV/SA  
 Rijkmakerlaan 9  
 2910 Essen  
 T +32 3 670 0700  
 F +32 3 667 6940  
 www.elster-instromet.com  
 info@elster-instromet.com

Singapore  
 Elster-Instromet Sdn. Bhd. (Singapore Branch)  
 29 Tai Seng Avenue  
 #06-05A Natural Cool Lifestyle Hub  
 Singapore 534119  
 T +65 6247 7728  
 F +65 6848 9003  
 sales@elster-instromet.com.sg

ZR EN07  
 A01.12.2014

73030218

Copyright 2014 Elster GmbH  
 All rights reserved.  
 Subject to change without prior notice